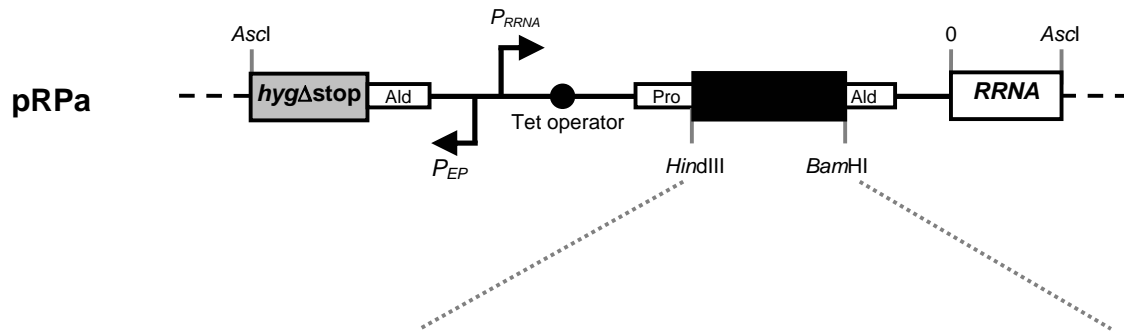


Tagging Plasmid: pRPa^{TAG}



Expression cassettes

GFP_X / Myc_X

AAGCTT **ATG-GFP or Myc** TCTAGA **insert STOP** GGATCC
 HindIII XbaI BamHI

X^{GFP}

TTAATTAAGCTT **ATG-insert** TCTAGA **GFP-STOP** GGATCC
 PacI HindIII XbaI BamHI

X^{6Myc}

AAGCTTTAATTA **ATG** TCTAGA **6Myc** CCTAGG **STOP** GGATCC
 HindIII PacI XbaI AvrII BamHI

Promoter region

RRNA promoter +1 Tet operator KpnI Polypyrimidine tract
 ...AAGTAGCGCTTACGGCGTACACCCTATCAATGATAGAGTGGTACCCTGCACGCGCCTTCGAGTTTTTTTTCCTTTTCCCATTTTTTTCAACTGA
 AGACTTCAATTACACCAAAAAGTAAAATTCACAAGCTT -- Expression cassette
 SA HindIII