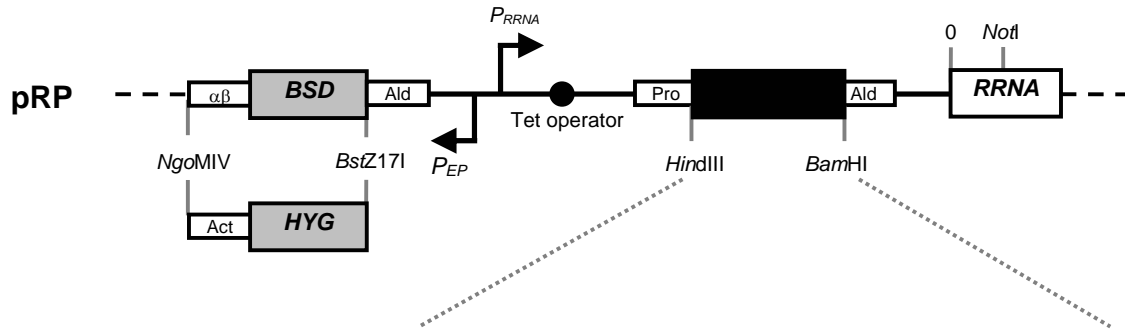


## Tagging Plasmid: pRP<sup>TAG</sup>



### Expression cassettes

GFP<sub>X</sub> / Myc<sub>X</sub> / TOM<sub>X</sub>

AAGCTT ATG-GFP/Myc/TOM TCTAGA insert STOP GGATCC  
*HindIII* *XbaI* *BamHI*

X<sup>GFP</sup>

AAGCTT ATG-insert TCTAGA GFP-STOP GGATCC  
*HindIII* *XbaI* *BamHI*

X<sup>6Myc</sup>X

AAGCTTAATTA ATG TCTAGA 6Myc CCTAGG STOP GGATCC  
*HindIII* *PacI* *XbaI* *AvrII* *BamHI*

### Promoter region

RRNA promoter +1 Tet operator *KpnI* Polypyrimidine tract  
 ...AAGTAGCGCTTACGGCGTACCCCTATCAATGATAGAGTGGTACCCTGCACGCGCCTTCGAGTTTTTTTTTCTTTTCCCATTTTTTCAACTTGA  
 AGACTTCAATTACACCAAAAAGTAAAATCACAAAGCTT -- Expression cassette  
 SA *HindIII*